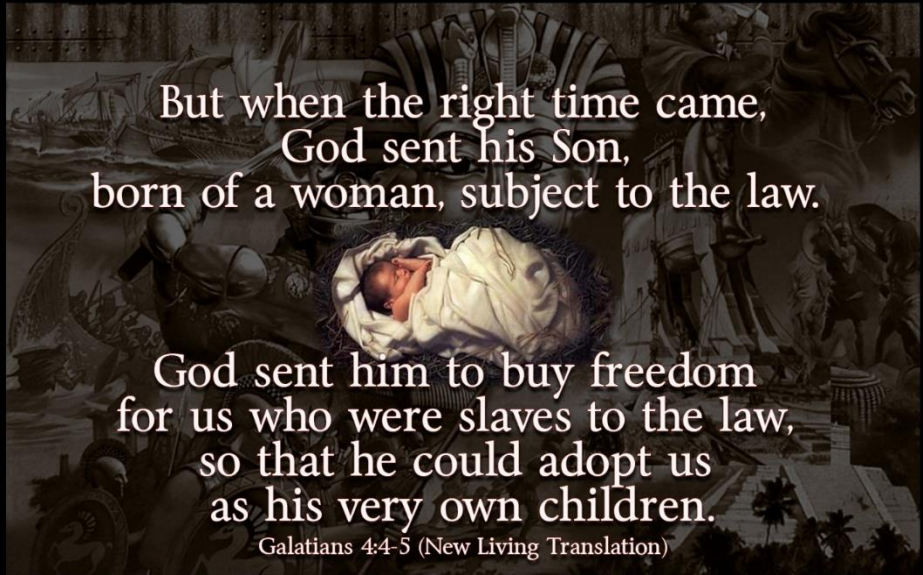


Hope's Timing

March 3, 2024

Scott Sweetland,
Associate Pastor, NHCC



But when the right time came,
God sent his Son,
born of a woman, subject to the law.

God sent him to buy freedom
for us who were slaves to the law,
so that he could adopt us
as his very own children.

Galatians 4:4-5 (New Living Translation)

Scripture Reading, Matthew 16: 13-16

Peter Declares That Jesus Is the Messiah

¹³ When Jesus came to the region of Caesarea Philippi, he asked his disciples, “Who do people say the Son of Man is?”

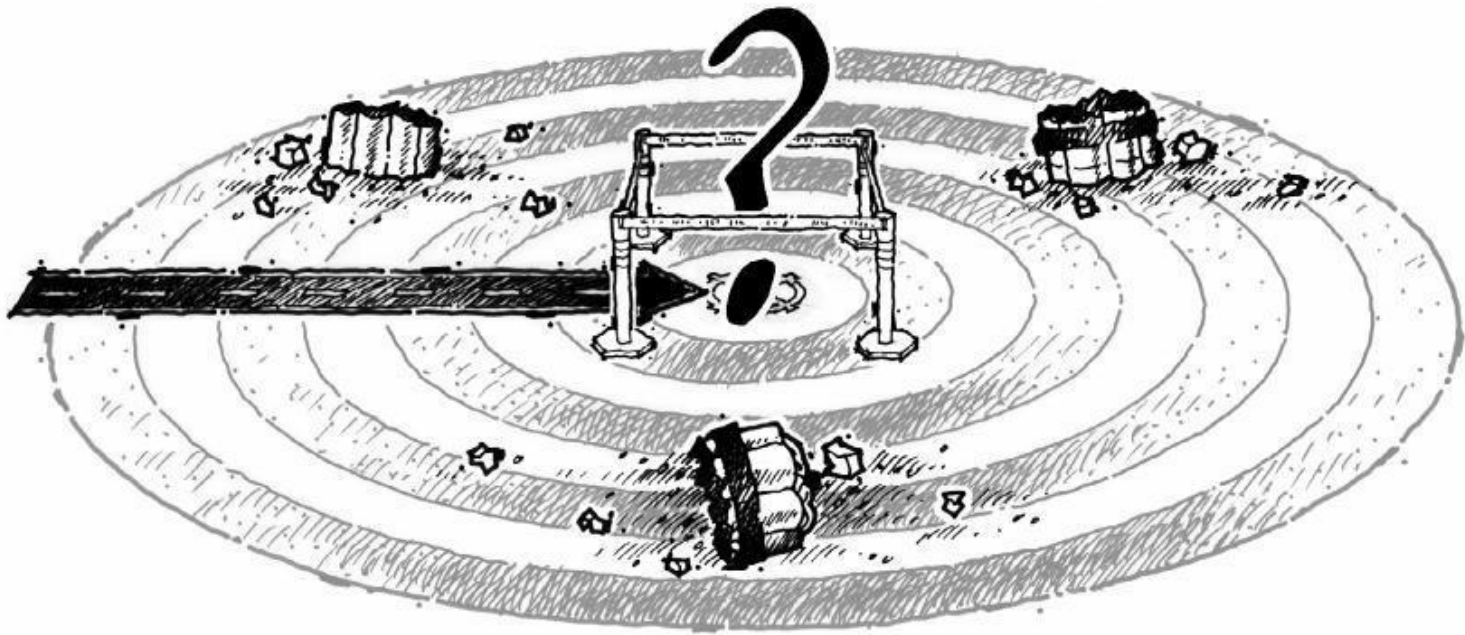
¹⁴ They replied, “Some say John the Baptist; others say Elijah; and still others, Jeremiah or one of the prophets.”

¹⁵ “But what about you?” he asked. “Who do you say I am?”

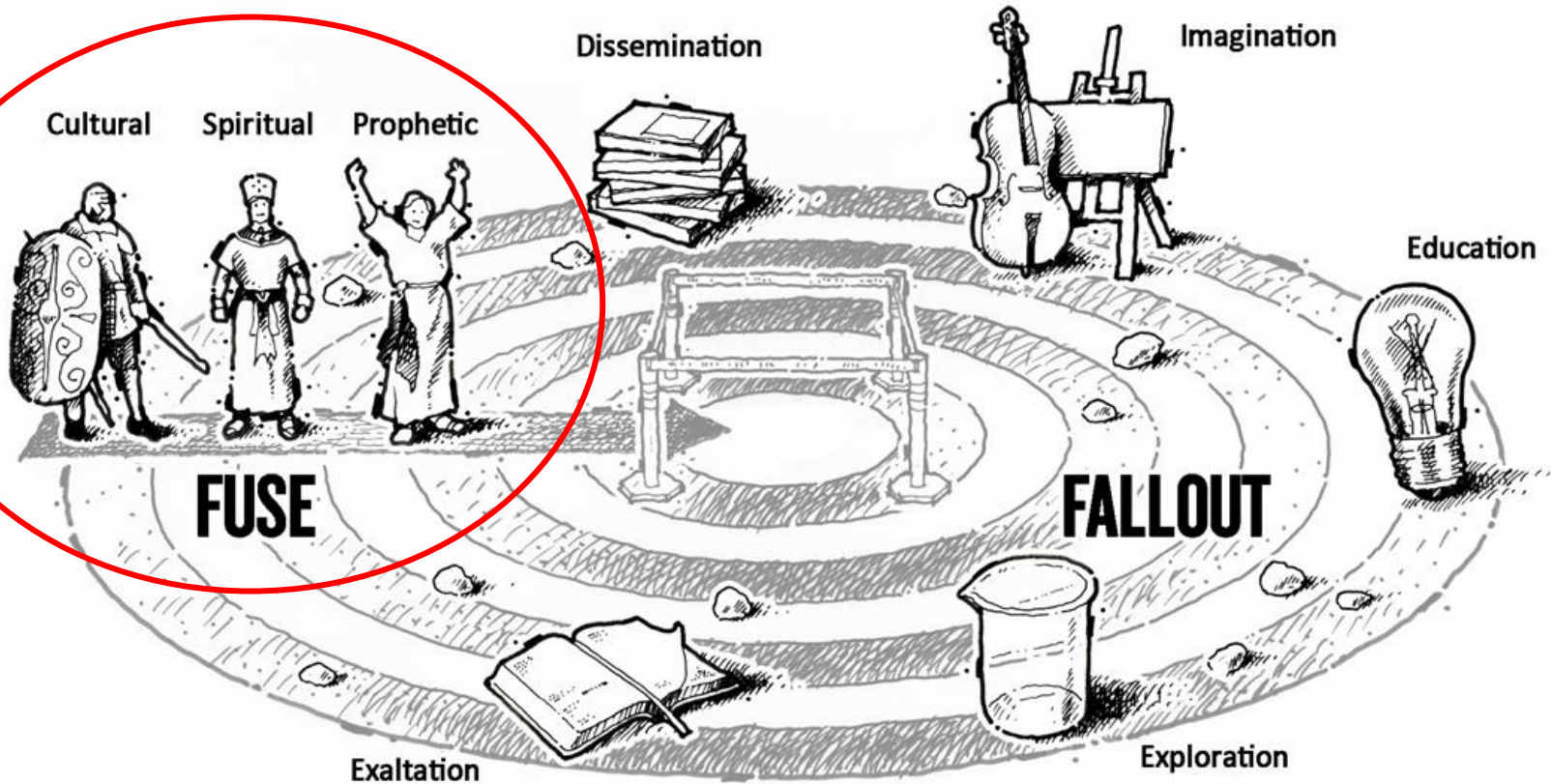
¹⁶ Simon Peter answered, “You are the Messiah, the Son of the living God.”

Fuse and Fallout Concept

The **FUSE** and the **FALLOUT** will identify the **FELON**



The Fuse leading to the explosion of Jesus



Most Common Attributes

- Predicted by Prophecy
- Born by unnatural means
- Protected as Infant
- Faced temptation
- Associated with Shepherds
- Possessed supernatural power
- Engaged & taught humans directly
- Recognized need for sacrifice
- Established a divine meal
- Faced a trial
- Had the power to defeat death
- Offered eternal life
- Judge living and the dead

Moses	Joshua	Joseph	David	Jonah
Escaped Death & King's decree as baby	Name means "God Saves"	Object of Father's Love	Born in Bethlehem	Slept on a boat during storm
Lived in Egypt as a child	Obscure beginning but rose to a position of honor	Underestimated & dismissed by his family	Identified as Shepherd King	Calmed the storm to amazement of others
Tempted in Wilderness	Anointed to lead and shepherd followers	Able to resist temptation	Amazed soldiers when he was young	Spent 3 days being given up for dead
Taught God's law from mountain	Brought deliverance from the enemies of God	Fed bread to hungry people	Came to the scene from unexpected pedigree	After 3 days, spent 40 days teaching
Worked miracle in Sea	Appointed 12 men as important leaders	Stripped of his robe & delivered to Gentiles	Popularity with masses angered leaders	Preached repentance to Gentiles
Fed thousands	Did for God's children what Moses couldn't	Sold by someone he trusted for pieces of silver	Anointed by God to shepherd & lead people	Knew that Salvation belongs to the Lord

Scripture Reading, Deuteronomy 18:22

If what a prophet proclaims in the name of the Lord does not take place or come true, that is a message the Lord has not spoken. That prophet has spoken presumptuously, so do not be alarmed

Deuteronomy 18:15,18 – Words of Moses

“The LORD your God will raise up for you a prophet like me from among your fellow Israelites, and you must listen to that prophet...‘I will raise up a prophet like you from among their fellow Israelites. I will tell that prophet what to say, and he will tell the people everything I command him.’”

Psalm 22: 16-18

- 16 Dogs surround me,
a pack of villains encircles me;
they pierce my hands and my feet.**
- 17 All my bones are on display;
people stare and gloat over me.**
- 18 They divide my clothes among them
and cast lots for my garment.**

HOPES TIMING – ISAIAH’S PROPHECIES

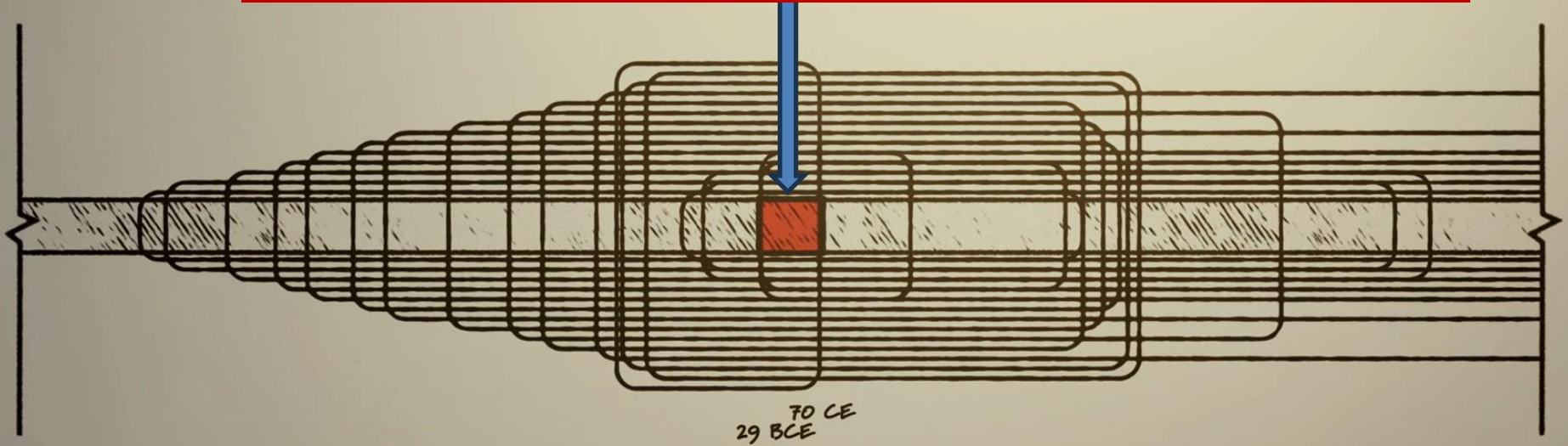
Born of a Virgin, 7:14	Humble, yet bring justice, 42:1-6
Cause non-believers to stumble, 8:14	Endure spitting & beating, 50:6
Ministry will begin in Galilee, 9:1	Rejected & despised, 53:3
His kingdom will last forever, 9:7	He will suffer, 53:3, 10
Descendant of David, 11:1,10	Punished & die for our sins, 53:4-12
Will be followed by Gentiles, 56:6-8	He will not defend himself, 53:7
Considered Chief Cornerstone, 28:16	Buried with the Rich, 53:9
Will heal the sick, 35:5-6	Anointed by God’s spirit, 61:1
Preceded by a messenger, 40:3	Minister in public, 61:1-3

WHAT, WHERE, WHY, HOW, WHEN - WHO is it?

WHAT	Crush Evil, Make known the path of life, conquers death, brings news of salvation, brings a new covenant, righteousness
WHERE	Born in Bethlehem, comes to Jerusalem
WHY	To reconcile us, redeems us and reconciles our sins, God will forgive our Sins
HOW	His expense, dies for our sins, executed no bone broken, performs miracles & heals, despised, considered a criminal but remains silent, he's pierced and buried in a rich man's tomb
WHEN	Preceded by a messenger (like Elijah), after a decree but before the temple is destroyed
WHO	Descendant of David, "God's Son", "Son of Man", Source of Peace, Throne established forever

Hope's timing – The Red Zone

All three fuses together point to 29 BCE to 70 CE for the Messiah to arrive



Spiritual + Cultural + Prophetic

Galatians 4: 4-5 - NLT

“But when the right time came, God sent his Son, born of a woman, subject to the law. God sent him to buy freedom for us who were slaves to the law, so that he could adopt us as his very own children”

He said to them...

**But who
do you
say that
I am?**

Matthew 16-15



WHAT, WHERE, WHY, HOW, WHEN - WHO is it?

WHAT	Crush Evil, Make known the path of life, conquers death, brings news of salvation, brings a new covenant, righteousness
WHERE	Born in Bethlehem, comes to Jerusalem
WHY	To reconcile us, redeems us and reconciles our sins, God will forgive our Sins
HOW	His expense, dies for our sins, executed no bone broken, performs miracles & heals, despised, considered a criminal but remains silent, he's pierced and buried in a rich man's tomb
WHEN	Preceded by a messenger (like Elijah), after a decree but before the temple is destroyed
WHO	Descendant of David, "God's Son", "Son of Man", Source of Peace, Throne established forever

Questions?

Email ASSOCIATE PASTOR SCOTT
Scott.sweetland@newhamptoncc.org